

Features

- Two-function pull-out sprayhead with touch-control allows you to switch from aerate to Sweep™ spray
- Fast flow provides a powerful rise and quickly fills basins and buckets
- Pullout reach provides maximum access and flexibility in and out of the sink
- 120° spout rotation allows for unobstructed use of the sink
- MasterClean™ sprayface features an easy-to-clean surface that withstands mineral buildup
- KOHLER ceramic disc valves exceed industry longevity standards for a lifetime of durable performance
- Single-handle operation facilitates flow and temperature control
- Large spray setting button helps easily transition between spray functions
- 4.0 gpm (15.1 lpm) maximum flow rate at 20 psi (1.3 bar)

Material

- Premium metal construction for durability and reliability
- KOHLER finishes resist corrosion and tarnishing

Installation

- Three-hole installation on 4" centers



Codes/Standards

ASME A112.18.1/CSA B125.1
NSF/ANSI/CAN 61
NSF/ANSI/CAN 372
All applicable US Federal and State material regulations

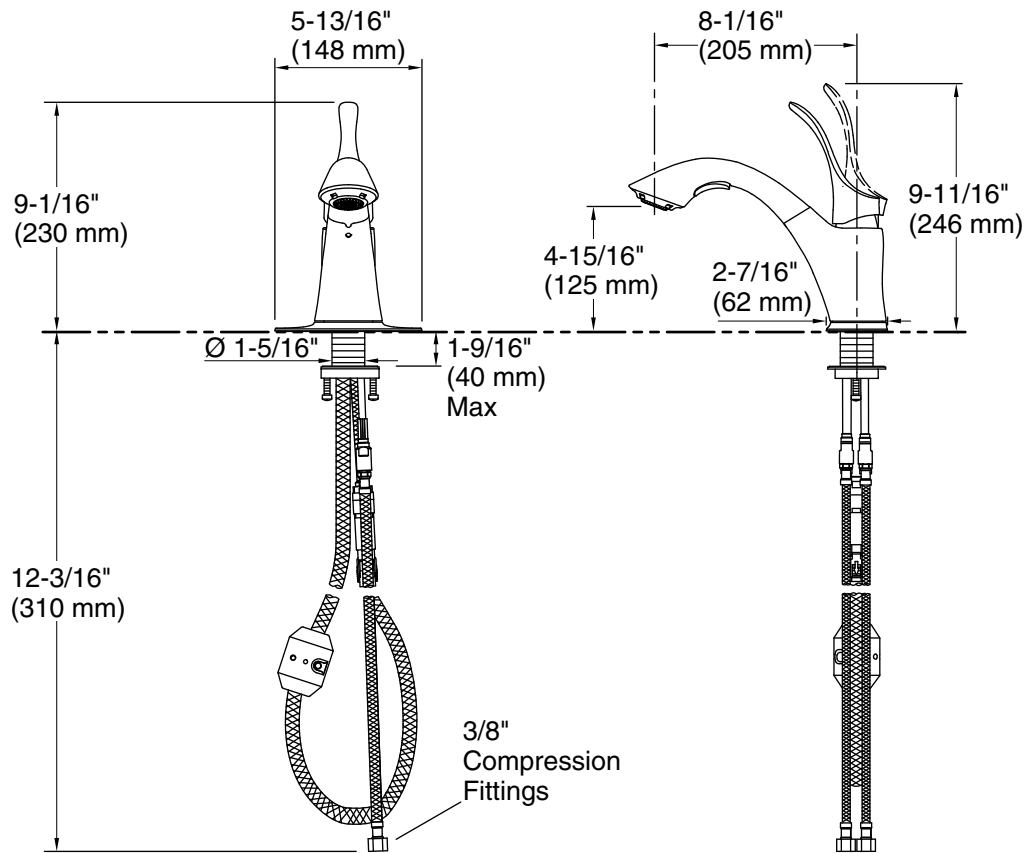
KOHLER® Faucet Lifetime Limited Warranty

See website for detailed warranty information.

Available Colors/Finishes

Color tiles intended for reference only.

Color	Code	Description
	CP	Polished Chrome
	VS	Vibrant™ Stainless
	BL	Matte Black
	2MB	Vibrant™ Brushed Moderne Brass



Technical Information

All product dimensions are nominal.

Notes

Install this product according to the installation instructions.

Faucet contains all necessary parts for both single-hole and three-hole installations.